

Easy-Lam green™

BA-EZ27g

Roll

Laminator



**READ BEFORE OPERATING MACHINE
FAILURE TO LOAD FILM CORRECTLY WILL VOID ALL WARRANTIES**

TABLE OF CONTENTS

Safety Messages and Electrical Safeguards	3-4
Introduction	4
Laminator Features	4
Specifications	5
Initial Set-up	5-7
Components.....	6-7
Heat Control.....	7
Operation	7-10
Loading Laminating Film	7
Threading Laminating Film.....	7-8
Adjusting Mandrel/Film Tension	9
Heat Shoe Temperature.....	9-10
Laminating	10
Troubleshooting	10-12
Maintenance	12-13
Cleaning Heat Shoes & Rollers.....	12
Removing Wrap Arounds.....	13
Warranty & Return Policy	13
Parts List	14

IMPORTANT SAFETY MESSAGES AND ELECTRICAL SAFEGUARDS

For your protection, do not connect the laminator to electrical power or attempt to operate it until you read these instructions completely. Keep these instructions in a convenient location for future reference. This instruction manual and labels affixed to the laminator are important safety messages. Read these messages carefully.

For your safety...

- * Keep hands, long hair, clothing, and other loose articles such as jewelry and ties, away from laminator's moving parts.
- * Save these Operating Instructions for later use.
- * Do not touch the heat shoes while the laminator power is turned on. Allow shoes to cool completely before touching.
- * Do not use the laminator for other than its intended purpose.
- * Place laminator on a sturdy cart, stand, or table. A laminator placed on an unstable surface may fall, causing serious bodily injury. Move laminator with caution. Quick stops, excessive force, or uneven floor surfaces may cause the laminator and cart to overturn.
- * Never override or attempt to defeat electrical or mechanical safety interlock devices.
- * Never insert objects or spill liquids in or on the laminator. They may contact dangerous voltage points or short out components that could result in fire or electrical shock.
- * The laminator should only be operated from the type of power source indicated in these Operating Instructions and on the data plate located on the rear panel of the laminator.
- * The three-pronged grounding plug is a safety feature and will only fit into a grounding-type power outlet. If you are unable to insert the plug into an outlet contact a qualified electrician to have a suitable outlet installed.
- * Do not leave the laminator power on overnight. Unplug the laminator at the end of the day.
- * Unplug the laminator before moving it or when it is not in use for an extended period of time as a precaution against the possibility of an internal malfunction that could create a fire hazard.
- * Do not operate the laminator with a damaged power supply cord or plug, or after it malfunctions or has been damaged in any manner.
- * Keep the power cord away from hot or wet surfaces.

- * Do not overload electrical outlets beyond their capacity as this can result in fire or electrical shock. This unit is rated at 15 amps and should be the only item plugged into a 15 or 12 amp branch circuit. When connected to a 20 amp branch circuit any items in addition to the EZ27 must not exceed 4 amps.
- * Adjust only those controls that are specified in these Operating Instructions.
- * Do not attempt to service or repair the laminator yourself. Unplug the laminator from the electrical outlet and contact an authorized service representative under any of the following conditions:
 - When the power supply cord or plug is damaged or frayed.
 - If liquid has been spilled into the laminator or it has been exposed to water.
 - If the laminator has been subjected to excessive jarring through being dropped or bumped.
 - If the laminator does not operate normally when following the operating instructions.

INTRODUCTION

Congratulations on your purchase of the new eco-friendly Easy-Lam **green™** 27" Roll Laminator. This unit is designed to provide years of trouble-free service.

The Easy-Lam **green™** will accept rolls of laminating film up to 27" wide in both 1.5 and 3 mil thicknesses. Paper and card stock up to 14mm thick may be laminated without adjusting the feed rollers.

Your Easy-Lam **green™** is preset at the factory for most applications so any adjustments should be minor. A digital heat controller provides continual indication of the Heat Shoe temperature and may be adjusted as needed.

Laminator Standard Features...

- * Preset laminating roller pressure and speed require no adjustment.
- * Feed table with adjustable guide.
- * Digital heat controller for monitoring temperature.
- * Teflon® coated Heat Shoes for easy cleaning.
- * Laminating film widths up to 27".
- * Total thickness up to 86 mils (laminated plus paper).
- * Auto shutoff cuts all power to the laminator.
- * Standby mode conserves energy between lamination.

SPECIFICATIONS

Plastic Width	27" (68.6cm)
Plastic Thickness	1.5 mil and 3 mil
Maximum Roll Length	1.5 mil - 1,000 feet (304.8 meters) 3 mil - 500 feet (152.4 meters)
Dimensions	20" (50.8cm) L x 35" (88.9) W x 16" (40.6cm) H
Speed	4.5' feet per minute (1.4m/minute)
Net weight	68lbs. (41kg)
Power Requirements	120VAC, 60Hz, 1800 watts 220VAC available

INITIAL SETUP

Unpacking and assembly...

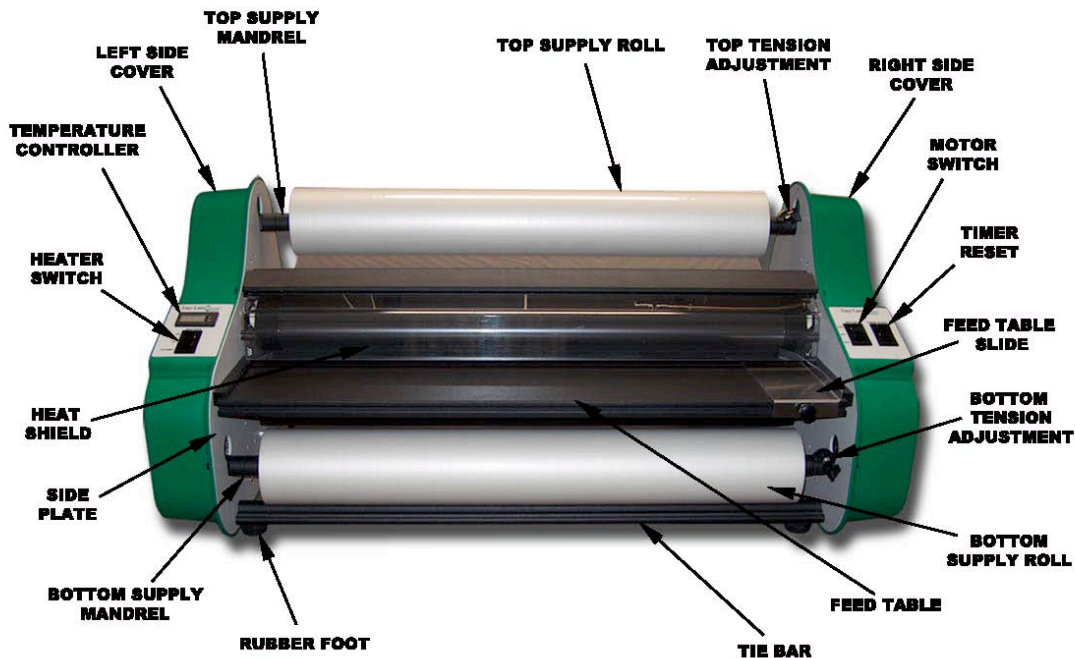
Before unpacking the unit, inspect the shipping container for signs of damage. Notify the carrier and your dealer immediately if any damage is noted. **Make sure to keep the box and packaging.**

CAUTION!

The laminator, without the feed table and mounting slides installed, weighs approximately 70 lbs. Use two people when removing the laminator from the shipping container.

Components...

The figure below shows the location of the major components and controls of the EZ green. You should become familiar with these before operating the laminator.



The Easy-Lam green™ laminator is designed specifically to provide energy savings to your organization. Easy-Lam green™ saves energy in two important ways:

- Standby mode brings thermostat down from laminating temperature of 300°F to 150°F while machine is not being used resulting in an energy savings of over 50%. (Warm-up time from 150°F back to laminating temperature of 300°F is only 7 minutes).
- One hour auto shutoff shuts the machine down resulting in further energy savings when the machine is not in use.

Motor Switch: This three position (FWD/OFF/REV) switch controls power to the Laminating Rollers. If the switch is pressed to the FWD position the rollers move forward, pulling the plastic film and laminated material past the Heat Shoes.

When this switch is pressed to the REV position the rollers move in the reverse direction. This is useful for clearing film from the rollers.

Heater Switch: This switch turns power to the top and bottom Heat Shoes on, off or to standby.

Timer Reset: This machine shuts down automatically after one hour. Press this switch for another hour of use.

Standby Mode: Lowers temperature to 150° cutting energy use in half.

Heat Control

Your new Easy-Lam green™ has a digital heat controller. Users can easily adjust the set temperature for the heat shoes to achieve the best quality lamination. The controller has been calibrated to accurately display the heat shoe temperature in the laminating range.

The heater switch on the left side cover activates the controller. When the switch is turned on the controller will flash a two letter code and then display the heat shoe temperature. When cold, the temperature displayed on the controllers may be different than the actual ambient temperature to account for correction in the higher temperature range. When the heater switch is turned on, the controller will send power to the heaters, provided the Set Temperature is higher than ambient temperature. (For safety reasons, this machine was shipped with the Set Temperature at 250).

When power is being sent to the heaters the controller will illuminate a small red indicator light in the lower right hand corner of the display. The light goes out when the Set Temperature is reached. Power to the heaters will cycle when the heat shoe temperature falls below the Set Temperature during lamination or while sitting idle.

OPERATION

This section describes the operation of your Easy-Lam green™. This laminator is designed for all widths of plastic up to 27". However, if narrower widths are used the Heat Shoes must be cleaned before using a wider roll. Refer to the MAINTENANCE section for cleaning instructions.

Loading Laminating Film onto Mandrels...

Slide the film onto the mandrel making sure that the mandrel spring is in position to compress properly when the film is pushed onto the mandrel. *Remove the film in the same direction.*

Threading Laminating Film...

These instructions apply to poly-in film rolls (shiny side out, dull side in)

1. For the top supply roll place the mandrel ends into the slots in the top of the laminator. If you are facing the front of the laminator the film should unwind toward you from the bottom of the roll as in Figure 3 below.

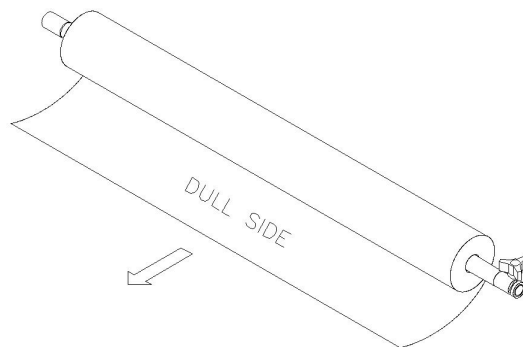


Figure 3

2. Pull 6"-12" of film from the top roll. Pass the film under the idler bar and over the heat shoes. Make sure the shiny side of the film is against the shoes.

3. For the bottom supply roll, remove the run-off table. Place the mandrel ends into position in the lower mandrel holder slots. Return the Run-off Table to its proper position before operating the laminator. If you are at the front of the laminator the film should unwind away from you at the top of the roll as in Figure 4 below.

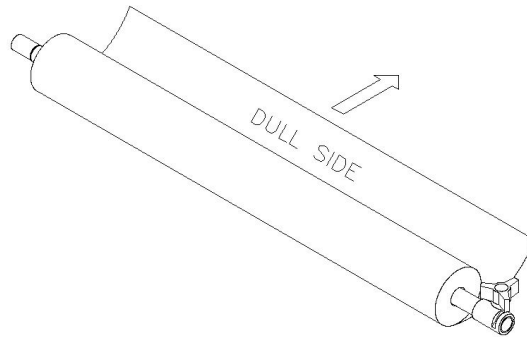


Figure 4

4. Pull 6"-12" of film from the bottom roll. Pass it over the lower idler bar and drape the film from the bottom roll over the film from the top roll. Since the heat shoes are hot the bottom film will adhere to the top film. See Figure 5 below.

Note: The shiny side of the film must always go against the Heat Shoes. If the laminating film is wound with the dull side out, the Lower Idler Bar must be moved to the lower position. To do this, remove the side covers and loosen the screws from both ends of the Idler Bar. Move the bar to the lower position and tighten both screws. Replace the side covers.

Caution:
The Heat Shoes reach a temperature of up to 350°F.
Do not touch the surface of the Heat Shoes.

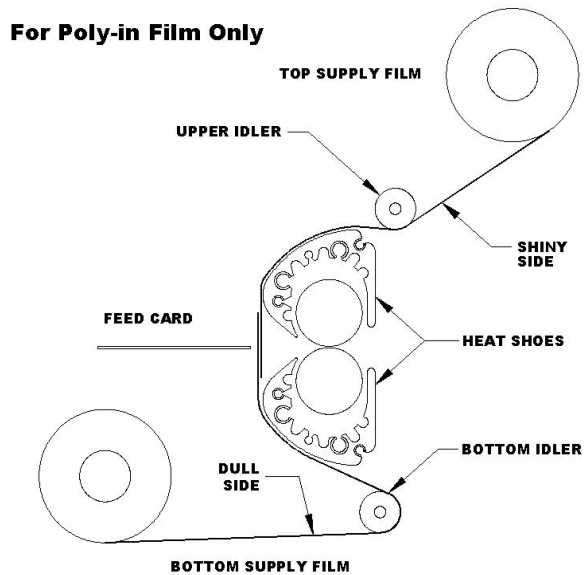


Figure 5

5. Turn the Motor switch to FWD to start the Laminating and Pull Rollers.
6. Feed a piece of thin cardboard about 10" x 25" against the film so that it is centered between the two Heat Shoes. Push the cardboard and film into the Laminating Rollers. See figure 5.
7. When the feed card has completely exited the Pull Rollers at the rear of the laminator turn the Motor Switch off.
8. Insert the Feed Table into the slots located on each side of the unit, between the Heat Shoes.
9. If you are not ready to laminate, turn the Heat Switch to the middle position (off) or to standby mode.

Adjusting Mandrel/Film Tension...

Each type of laminating film has different characteristics and may require laminator adjustment. The tension should be set so that the film moves over the Heat Shoes without wrinkles as the film enters the laminator. Best results are obtained if tension adjustments are made while the unit is at operating temperature. If any adjustments are required use the following procedure:

1. Press the Motor switch to on.
2. Locate knob on the right side of Top Supply Mandrel. Turn the knob to adjust the tension (clockwise to increase, counter clockwise to decrease) until the film passes over the Top Heat Shoe without wrinkles and the web between the laminating and pull rollers is tight.

Note: This adjustment requires only a few degrees of turn. If the knob is turned too far clockwise, you may stall the drive motor.



4. Repeat for Bottom Supply Mandrel.
5. If you are not ready to laminate, turn the Motor switch off and Heat Switches off or to standby mode.

Setting Heat Shoe Temperature...

The laminator temperature should be adjusted according to the film thickness and the item being laminated. See Table 1 below for recommended temperature settings. *Keep in mind that the temperatures listed are approximate and different brands of laminating film may require different temperatures.*

1. Turn the Heater switch on.
2. Adjust using digital heat controller. To set the temperature press and hold the appropriate arrow until the desired temperature is reached. Then press both arrows to save the setting.

Material	Temperature Range
1.5 mil (.0015")	300°F - 320°F
3 mil (.003")	250°F - 265°F

Table 1

LAMINATING

1. Be sure the heaters have been turned on and are at the proper temperature. Be sure the film has been properly threaded.

Caution:

Do not allow the temperature to exceed 350°F as this could cause the laminating film to melt on the Heat Shoes and will void your warranty.

2. Adjust the Paper Guide on the Feed Table so that the right edge of the item will enter the laminator at the desired position.

3. Press the Motor switch to the ON position. The film will begin moving through the laminator.

4. After clear laminating film exits the Pull Rollers at the rear of the machine you may slide the first item to be laminated into the laminator with the right edge along the Paper Guide.

Note: You may want to run a test lamination first as any item that passes between the Heat Shoes will be laminated and cannot be recovered until it exits the rear of the laminator.

5. Additional items may be fed in sequence, keeping enough distance between sheets for trimming.

6. After the last item has exited the Pull Rollers, turn the Motor switch off.

7. Use the Zippy Cutter to cut across the film to remove the laminated items from the unit.

TROUBLESHOOTING

The following guide will assist you with most problems that may be encountered when laminating.

PROBLEM: *Laminator is inoperative. Motor does not turn, indicator lights are out.*

ACTION: Unit may be unplugged. Connect power supply.

Make sure to press "Timer Reset" if the machine has been unattended for an hour or more.

Ensure that the circuit breaker has not tripped

Fuse may have blown. Replace fuse (rear next to power cord) with 15 amp BUSS (MDA-15) for standard units, or 12 amp (MDA-12) for CSA units.

PROBLEM: *Laminating film and item being laminated move through laminator erratically.*

ACTION: Check thickness of item to be laminated. Maximum thickness is 1/16" (1.6mm).

Clean heat shoes of residual adhesive. Refer to MAINTENANCE section for cleaning instructions.

PROBLEM: **Laminator heats but motor does not turn on**

ACTION: Ensure all motor switches are in the ON position. Change motor fuse with .75 amp

PROBLEM: **Laminator blows fuses often.**

ACTION: Ensure machine is running on a dedicated circuit. Do not exceed maximum material thickness. Reduce supply mandrel tension.

PROBLEM: *Plastic is not bonding to the item or to itself at the edges.*

ACTION: Make sure heat shoes and rollers are at proper operating temperature and have had time to warm up. See Table 1 for the suggested temperature ranges. (ensure you are using quality film).

PROBLEM: *Wrinkles on laminated item running parallel with supply rolls.*

ACTION: Increase roller tension on top and/or bottom supply rolls; only small amounts between tests.

Reduce heat shoe temperature.

PROBLEM: *Stretch lines appear on laminated items running parallel with the outside edges.*

ACTION: Increase supply mandrel tension on top and/or bottom supply rolls.

Reduce heat shoe temperature.

Clean heat shoes of residual adhesive. See MAINTENANCE section for cleaning instructions.

PROBLEM: *Blistering of the film appears over the item or along the edge.*

ACTION: Reduce temperature on heat shoes. If the indicator light remains on after the adjustment is made, disconnect the power supply and contact your dealer.

Clean laminating rollers. See MAINTENANCE section for cleaning instructions.

There may be moisture in the paper you are laminating. Store paper in a dry place and be sure that any ink is thoroughly dry before laminating.

PROBLEM: *Laminated material curls after leaving pull rollers.*

ACTION: Adjust tension. If laminated item curls upwards, reduce top roller tension. If item curls downward, reduce bottom roller tension.

Clean heat shoes of residual adhesive as it may be causing “drag” on one side. Refer to MAINTENANCE section for cleaning instructions.

MAINTENANCE

This section contains instructions for cleaning and maintaining your laminator. These procedures should be performed at regular intervals to help ensure the trouble-free operation of your laminator.

Caution:

Before performing any maintenance on your laminator first disconnect the power supply. Hazardous voltages are present when the side panels are removed.

Cleaning the Heat Shoes and Laminating Rollers...

The Heat Shoes and Laminating Rollers should be cleaned of any residual adhesive whenever the film does not pass smoothly over their surfaces.

Note: The surface of the Heat Shoes is Teflon® coated and must only be cleaned using a soft cloth. They can easily be damaged by sharp or abrasive objects.

1. Allow the Heat Shoes to cool.
2. Remove the Feed Table by sliding it toward you to expose the Heat Shoes.
3. Cut the plastic film from the supply rolls and where it exits the rollers. Pull the film toward you and away from the rollers.

4. Lift the film away from the Heat Shoes. Turn the power on and hold the Motor Drive switch in the REV position while pulling the film forward toward you (from the front of the laminator).
5. Use a soft cloth moistened with alcohol to remove any residue from the Teflon® surface of the Heat Shoes and Laminating Rollers.
6. Allow the Heat Shoes and Laminating Rollers to dry before re-threading the film.

Removing Wrap-arounds...

When laminating with thinner gauges of film, there is the possibility of the film wrapping around the Pull Rollers. Use the same procedure for **Cleaning the Heat Shoes and Laminating Rollers** in order to remove a wrap-around. You should remove any wrap-arounds that occur as soon as possible. If the film is allowed to cool while wrapped around the rollers it may be more difficult to remove and the heat shoes may have to be turned on to loosen the film.

<p>Note: The heat shoes are hot! Use caution when cleaning the rollers or heat shoes, or when removing wrap-arounds. Be careful with sharp objects, cutting a rubber roller will ruin it and result in void of warranty.</p>

WARRANTY AND RETURN POLICY

Warranty

Your laminator is warranted to be free of defects in material and workmanship for a period of 1 year from the date of original purchase. In the event of a defect in material or workmanship, the manufacturer or its authorized dealer, will repair or replace (at their option) the laminator. This does not cover rollers that have been damaged due to improper cleaning. The manufacturer makes no other warranty stated or implied except as stated above.

Return Policy

If your laminator is not operating properly, first review the Operating Instructions and Troubleshooting Guide. If the malfunction cannot be corrected, contact your local dealer for instructions. Be sure to have your machine serial number and date of purchase handy. If the laminator must be returned to the dealer, *proper packaging and freight charges are your responsibility*. Shipping damage as a result of improper packaging is not covered under the terms of this warranty.

PARTS LIST

<u>Item</u>	<u>Part #</u>	<u>Description</u>	<u>Qty</u>
1	1441	Roller, EZ Bottom	2
2	1445	Roller, EZ Top (crown)	2
3	3001	Core Gripper, EZ Mandrel	2
4	11327	Fuse, 15A Fast Blow	1
5	11625	Fuse Holder, 30A Power	1
6	1210	Heat Shoe EZ	2
7	1242	Heater, Tubular, EZ	4
8	645044	Motor, EZ	1
9	1395	Cord, Power 14-3	1
10	11592	Chain, EZ W/DC Motor	1
11	10371	Sprocket, 25B21, 625 Bore	1
12	529	Mandrel, Supply, EZ	2
13	560	Thermostat, HTU-428, EZ	1
14	10357	Terminal Block, 10, W/Rectifier	2
15	11596	Control, Heat, Mightylam	1
16	627701	Relay, Timed 1 Hour	1
17	8288	Relay, Solid State 25A DC	1
18	11532	Fuse $\frac{3}{4}$ AMP Fast Blow	1
19	8279	Sensor, K Type	1
20	627709	Switch, Heater, EZG	1
21	627710	Switch, Timer Reset, EZG	1
22	627711	Switch, Motor, EZG	1
23	11540	Motor Fuse Holder	1
24	541	6 Station Terminal Block	1